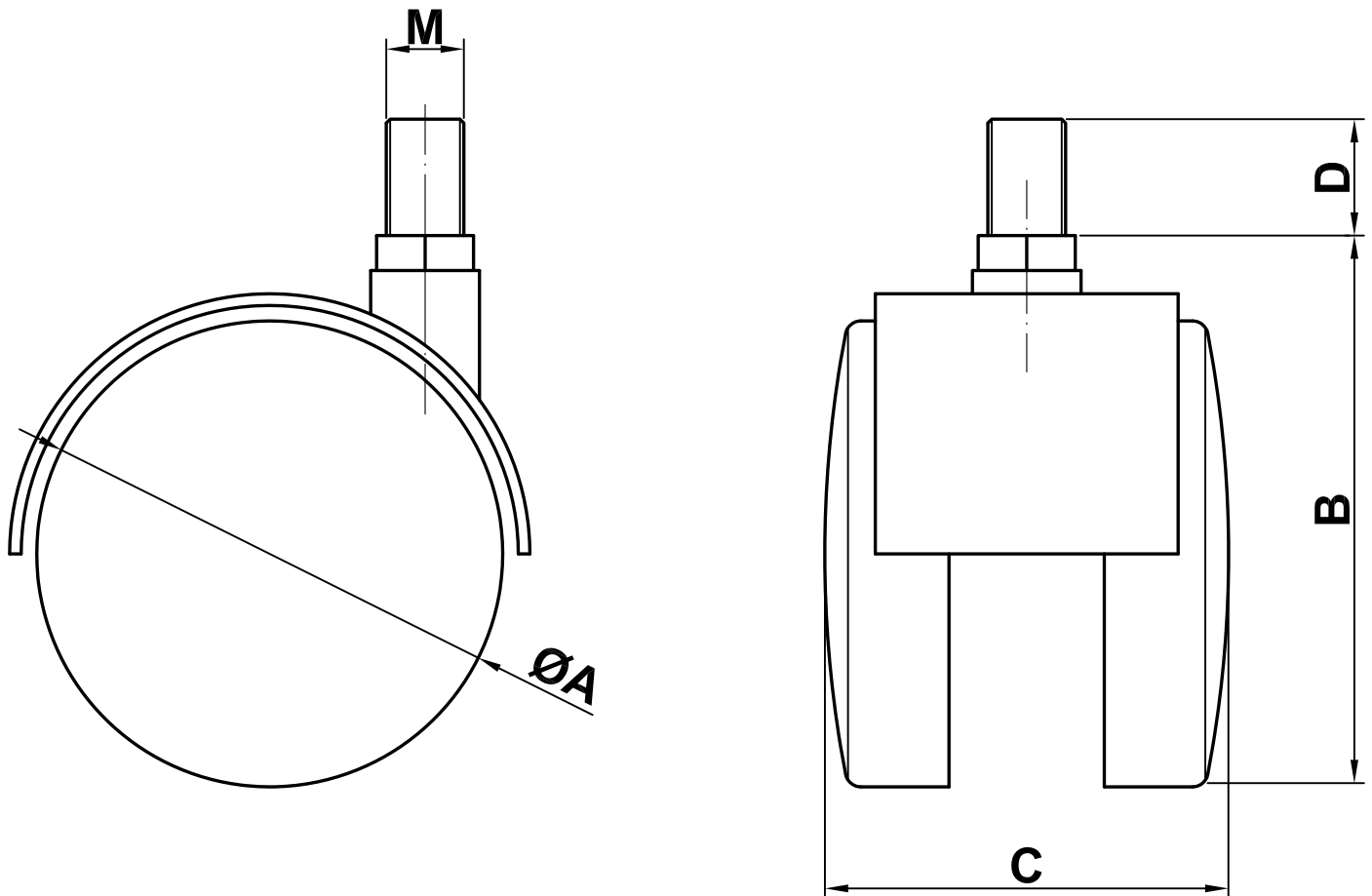




## Rueda con espiga roscada Mod. 1501



| ØA (mm) | B (mm) | C (mm) | D (mm) | M (mm) | Kg |
|---------|--------|--------|--------|--------|----|
| 35      | 44     | 34     | 15     | 6      | 25 |
| 40      | 52     | 39     | 15     | 6      | 35 |
| 45      | 55     | 41     | 15     | 8      | 45 |
| 50      | 58     | 47     | 15     | 8 - 10 | 50 |
| 60      | 58     | 52     | 15     | 10     | 50 |